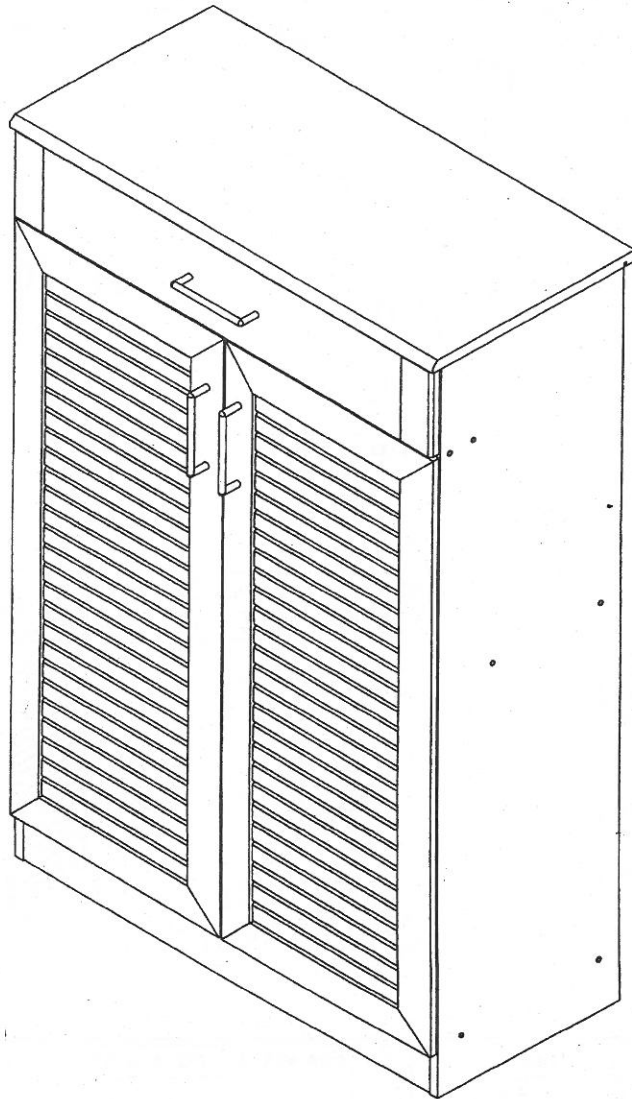


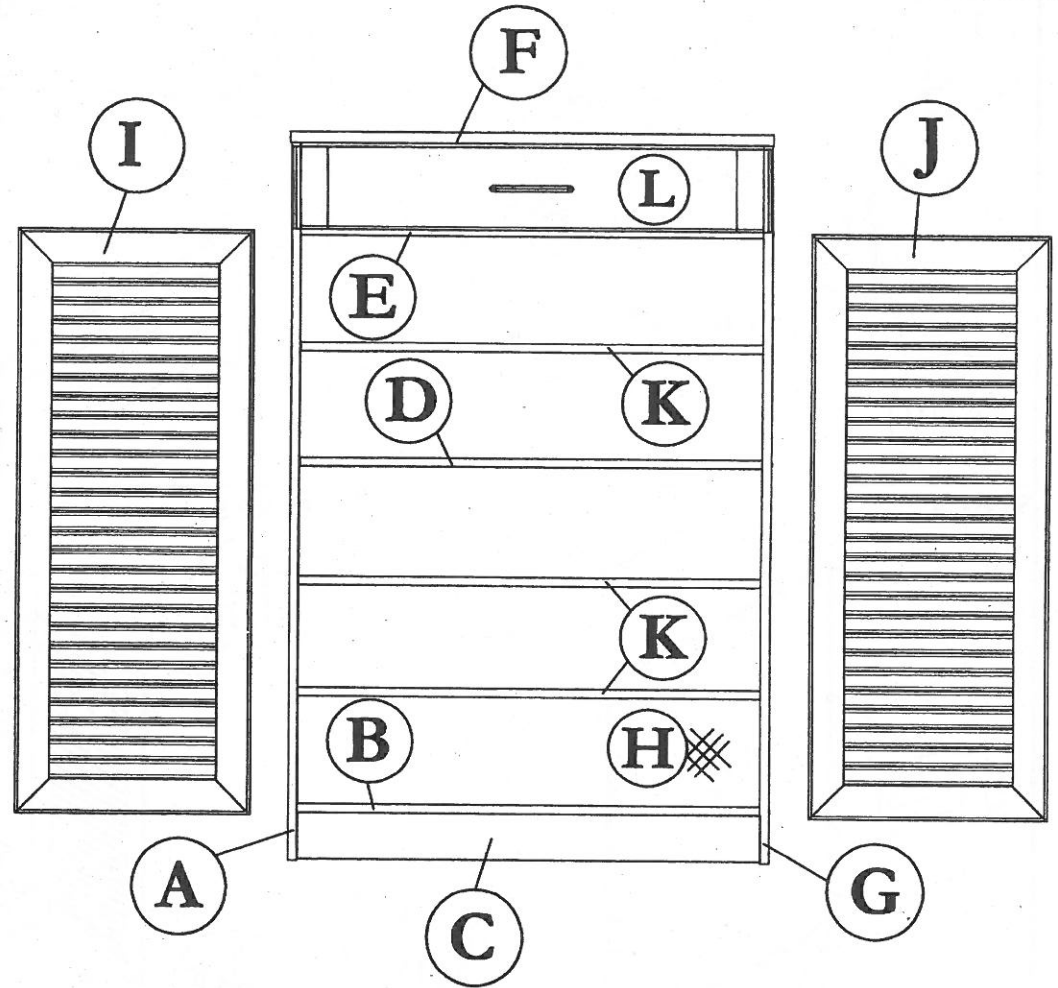
**CAUTION:**

To clean use soft, dry cloth. Do not use detergent or chemicals  
Avoid contact with water and direct sunlight.  
To be assembled on a soft, dry, clean and smooth surface.



**ORDERING REPAIR PARTS**

In order to obtain smooth and rapid service when ordering repair parts,  
please give full attention to the following of PART NUMBER.



NO	DESCRIPTION	QTY
A	LEFT SIDE	01
B	LOWER SHELF	01
C	LEG	01
D	CENTRE SHELF	01
E	HORIZONTAL SHELF	01
F	TOP	01
G	RIGHT SIDE	01

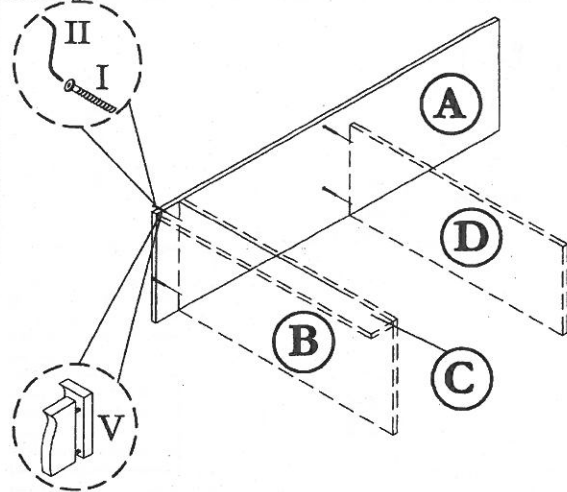
NO	DESCRIPTION	QTY
H	BACK	02
I	LEFT SIDE DOOR	01
J	RIGHT SIDE DOOR	01
K	MOVABLE SHELF	03
L	DRAWER FACE	01

**COMPLETE SET**

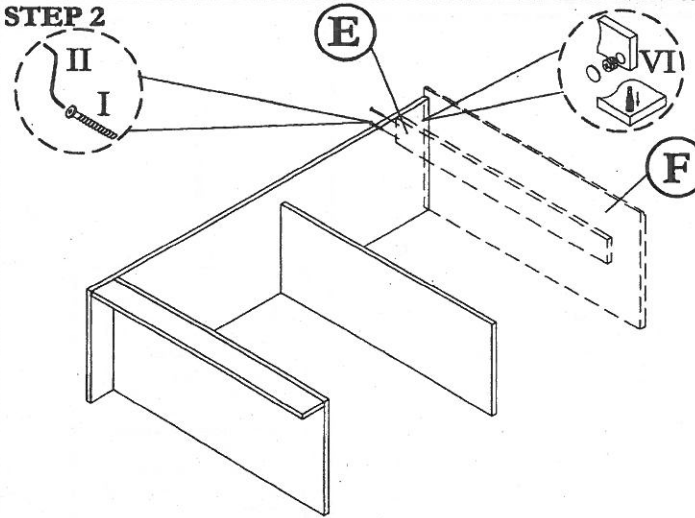
**ASSEMBLY INSTRUCTION**  
**MODEL : 7048 / SHOE RACK**

Before you begin, please follow assembly instruction carefully.  
 Then follow them step by step.

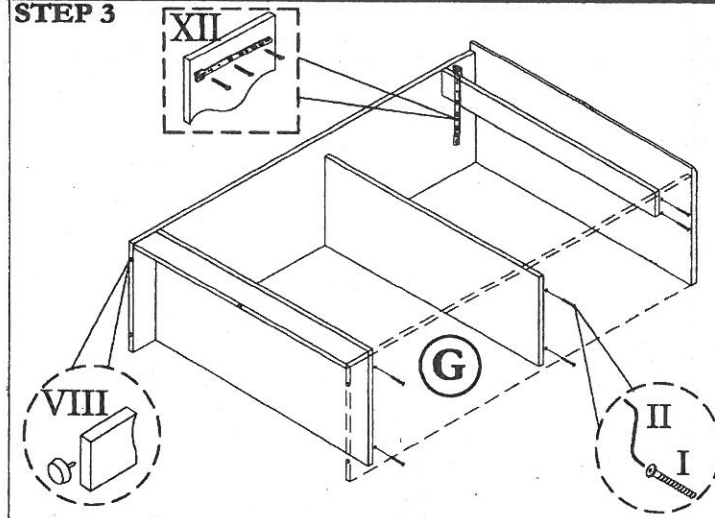
**STEP 1**



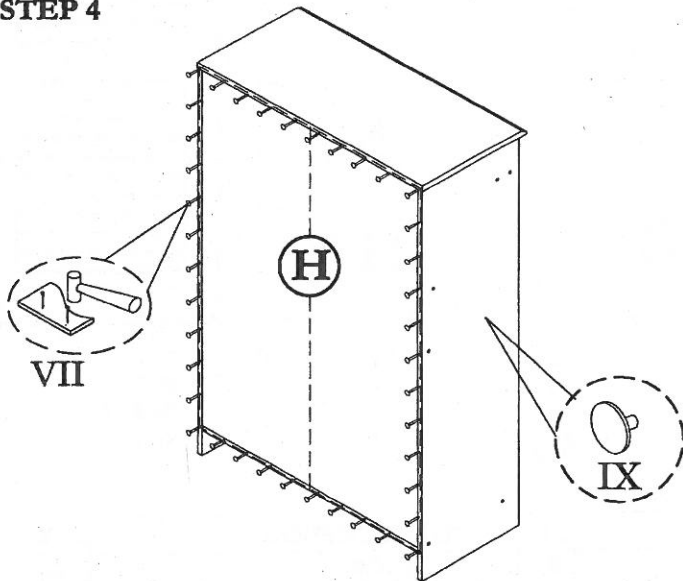
**STEP 2**



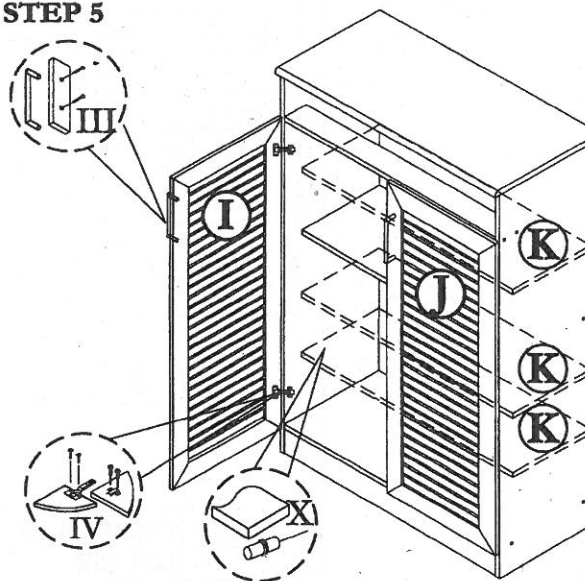
**STEP 3**



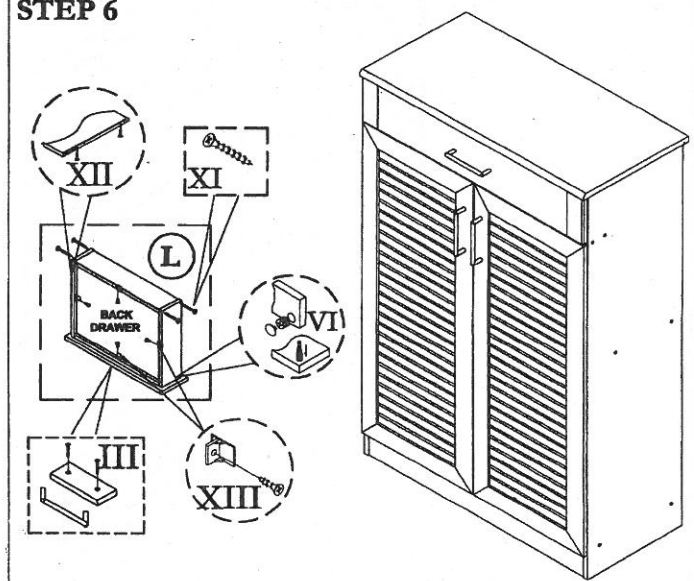
**STEP 4**



**STEP 5**



**STEP 6**



HARDWARE LIST			
NO	DESCRIPTION		QTY
I	JCBCW SCREW M6 x 45		12pcs
II	M4 ALLEN KEY		1pc
III	HANDLE & SCREW M3.5 x 30		3sets
IV	HINGE (A) & SCREW M3.5 x 16		4sets
V	M8 x 30 PLASTIC DOWEL		4pcs

VI	Q-FIT		8sets
VII	NAIL		50pcs
VIII	PVC NAIL WITH PIN		5pcs
IX	CAP SMALL		12pcs
X	SHELF SUPPORT		12pcs
XI	M8 x 32 CHIPBOARD SCREW		4pcs
XII	DRAWER SLIDER & SCREW M3.5 x 12		1sets

XIII	DRAWER SUPPORT & SCREW M3.5 x 12		4sets